

LFXPRO SERIES Outdoor Lighting

LFXPRO-LG-50-150W-MCTP



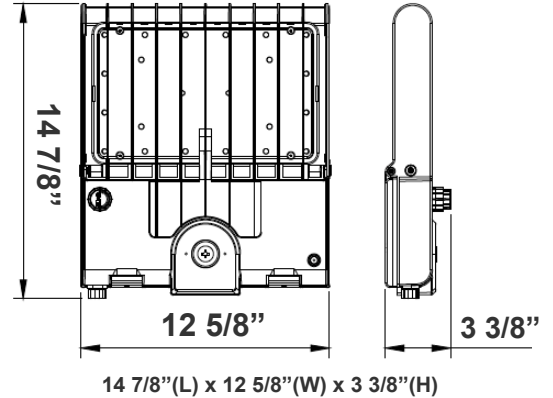
Ideal for general site lighting, alleys, loading docks, doorway, pathway, and parking areas.

Customer Name: _____

Project Name: _____

Note: _____

Type: _____



Features

- LED Flood Light
- With snap-on & bolt mounting options for one-person Installations.
- Select a mounting option (Sold separately)

- 70,000 Hours Rated Life
- 7-Year Warranty
- Optic Lens Type: III
- Multi-CCT & Multi-Power - The Switches are on the Bottom of the Fixture

Technical Specifications

Electrical:

- Voltage: 100-277V AC 50/60Hz
- Wattage: 50W/ 80W/ 100W/ 150W
- Power Factor: >0.9
- Output Current: 0.25A
- Efficacy: 125 LPW
- THD: <20%

Mechanical:

- Housing: Die-cast Aluminum Housing with Powder Coat Finish (Dark Bronze)
- 6KV Lightning Surge Protection
- IP Rating: IP65
- Operating Temperature: -40°F to 104°F
- Suitable for Wet Locations
- Effective projected areas (EPA's) are:
Front = 0.38 square feet
Side = 0.30 square feet
Face = 1.05 square feet

Lighting:

- Dimmable: 0~10V
- Solid State Lighting technology for long life, no Maintenance needed and High-Efficiency
- Lens Type: Optical TYPE III Lens, High Light TransmittancePC, Anti-UV and Flame Resistant
- Cord Type: 3.2' SJTW 18/3 AWG cable
- Total lumens: 19200LM Max.
- Color temperature: 3000K/ 4000K/ 5000K/ 5700K
- Color rendering index: CRI ≥ 70
- Beam Angle: 90°x120°

Applications:

- Ideal for general site lighting, alleys, loading docks, doorway, pathway and parking areas.
- Replace existing HID flood lights/ wall packs

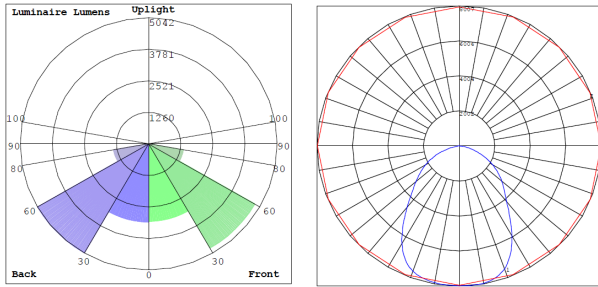
Other Models:

- 300W | 38000LM | LFXPRO-XL-150-300W-MCTP

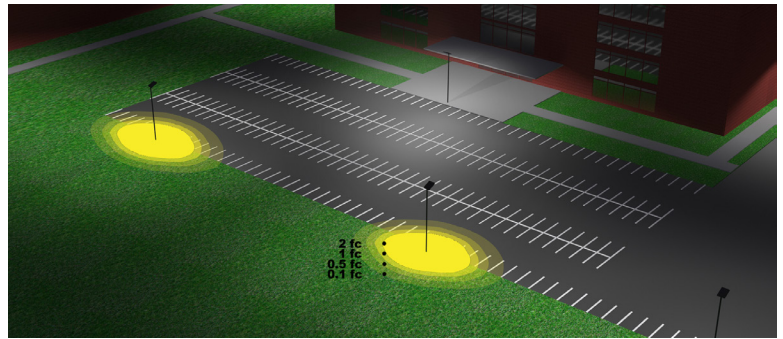


Photometrics: LFXPRO-LG-50-150W-MCTP

TYPE III



BUG Rating: B4-U0-G1



Area 65'x 75' Mounting Height: 20'

Other Views:



Side View



Front View



Back View

Performance Table: LFXPRO-LG-50-150W-MCTP

MODEL NO.	Wattage	Voltage	Lumens	Color Temp.	BUG Rating	LPW
LFXPRO-LG-50-150W-MCTP	50W	120~277V	6800LM	3000K 4000K 5000K 5700K	B4-U0-G1	125
			6950LM			
			7510LM			
	80W		7510LM			
			11000LM			
			11200LM			
	100W		11500LM			
			11500LM			
			13200LM			
			13500LM			
			14000LM			
			14000LM			
	150W		18700LM			
			18900LM			
			19200LM			
19200LM						



Sample Ordering

Model	Size	Min. Wattage	Max. Wattage	Color Temp.
LFXPRO	LG	50	150W	MCTP

Accessories Options

Blank = No Option For Accessories
 WEC-8RC = Optional Motion Sensor Remote Control

Factory-Installed Options

Blank = No Option For Accessories
 OPT-EM-OD2EXT = Emergency Battery Backup
 OPT-3MPC = Microwave Photocell with a 1/2" threaded
 OPT-SEN-3MR-3 = Programmable Microwave Bi-Level Sensor

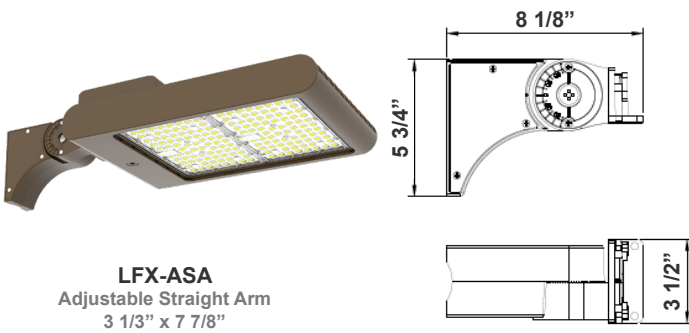
Example:

- 1.LFXPRO-LG-50-150W-MCTP (For LFXPRO 150W MCTP fixture 120-277V)
- 2.LFXPRO-LG-50-150W-MCTP WEC-8RC (For LFXPRO 150W MCTP fixture 120-277V (Remote Control))

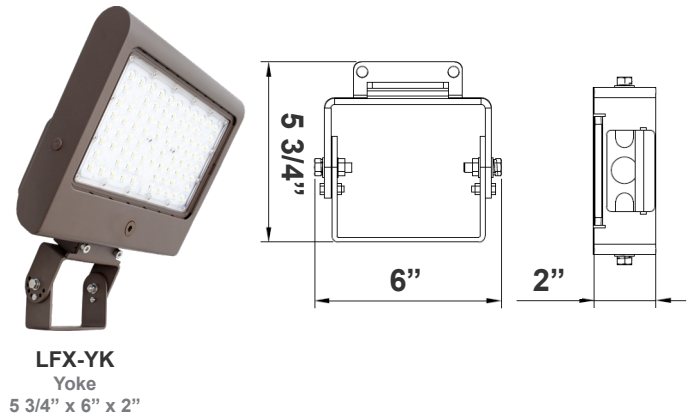
ACCESSORIES:



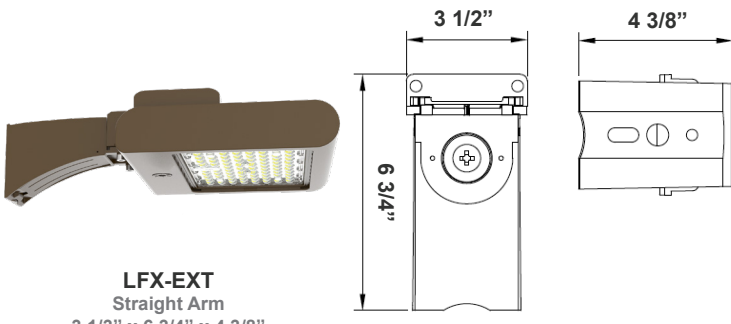
Mounting Options:



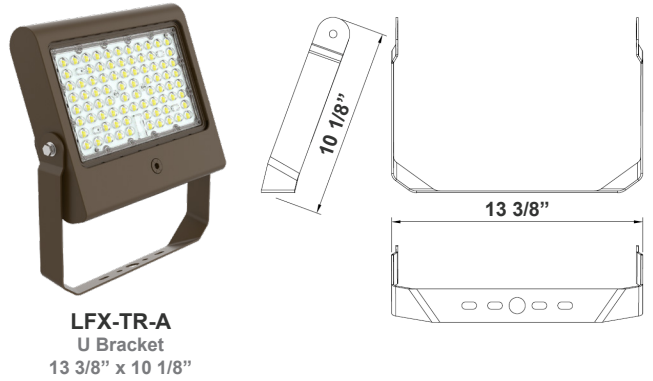
LFX-ASA
Adjustable Straight Arm
3 1/3" x 7 7/8"



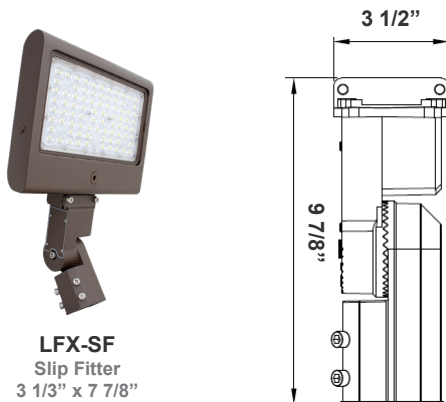
LFX-YK
Yoke
5 3/4" x 6" x 2"



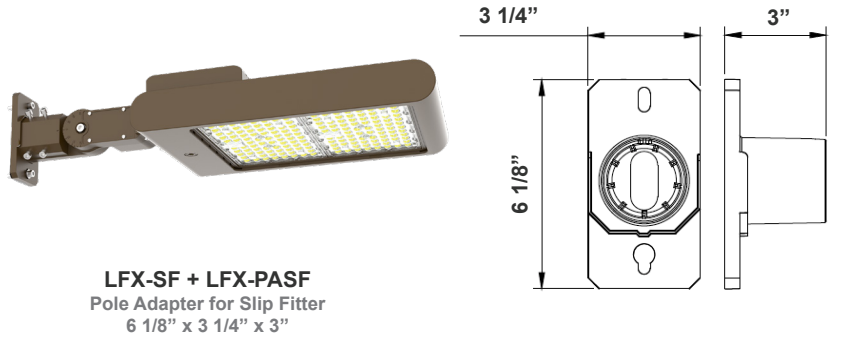
LFX-EXT
Straight Arm
3 1/3" x 6 3/4" x 4 3/8"



LFX-TR-A
U Bracket
13 3/8" x 10 1/8"



LFX-SF
Slip Fitter
3 1/3" x 7 7/8"



LFX-SF + LFX-PASF
Pole Adapter for Slip Fitter
6 1/8" x 3 1/4" x 3"



Color Options: LFXPRO-LG-50-150W-MCTP

Custom Color Available

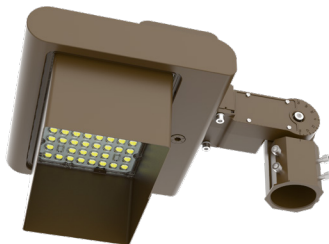
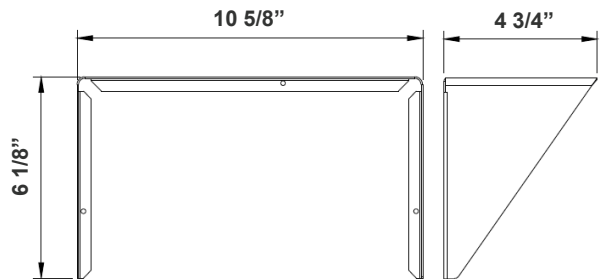
Black Silver White **Dark Bronze** Green Red Yellow
Default color



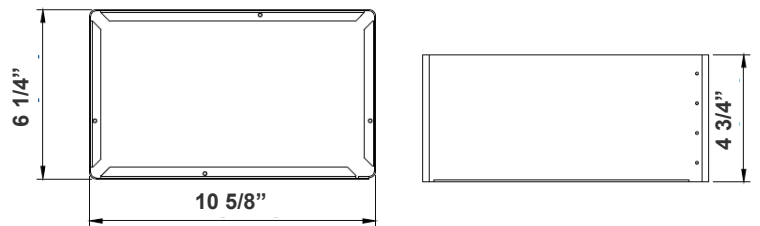
Shroud & Wire Guard: LFXPRO-LG-50-150W-MCTP



LF-SHROUD-A
Shroud
6 1/8" x 10 5/8" x 4 3/4"



LF-SHROUD-D
Full-Glare Shroud
6 1/4" x 10 5/8" x 4 3/4"



LFXPRO-WG-A
Wire Guard

